

12V

500A

GB20



START DEAD BATTERIES. ULTRASAFE® LITHIUM JUMP STARTER.™

GAS & DIESEL

UP TO 4.0L GAS.

Designed for gas engines up to 4 liters such as ATVs, motorcycles, cars, lawn equipment, and more.

USB

CHARGE & RECHARGE.

It's internal battery can be used to recharge any personal mobile devices like smartphones, tablets, or any other USB device, and can be recharged by any powered USB port.

20X

UP TO 20 JUMPSTARTS.

Compact, yet powerful lithium jump starter rated at 500 amps. Full power to jump start a vehicle up to 20 times on a single charge.

ULTRA SAFE

SPARK PROOF TECHNOLOGY.

Safely connect to any 12-volt car battery with our mistake-proof design featuring spark-proof technology and reverse polarity protection.



NOCO

30339 Diamond Parkway, #102
Glenwillow, OH 44139 | USA
1.800.456.6626

no.co

LEAD ACID

WET

GEL

MF

EFB

AGM

AUTO | MARINE | RV | POWERSPORT | LAWN & GARDEN

GB20

NOCO BOOST SPORT™

12V 500A

INTERFACE

POWER LED
The jump starter is in standby or the battery voltage is too low for the jump starter to detect.



POWER BUTTON
Push to turn unit "On" & "Off".



CHARGE LED
Indicates the charge level of the internal battery.



BOOST LED
Illuminates white when boost is active. The LED flashes white when manual override feature is active.



LIGHT MODE BUTTON
Toggles the ultra-bright LED light through 7 light modes: 100% > 50% > 10% > SOS > Blink > Strobe > Off



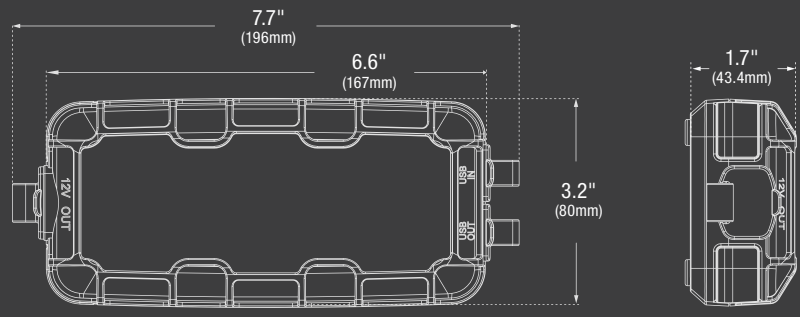
ERROR
Blinks "on" and "off" when the internal battery is too hot/too cold.



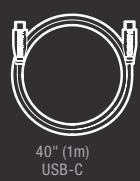
MANUAL OVERRIDE.
Press and hold the manual override button for 3 seconds, until the Boost LED starts flashing, to enter into manual mode.



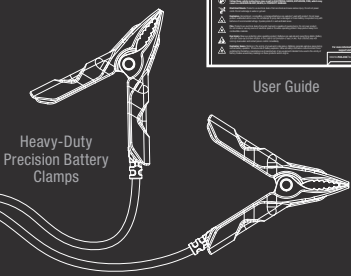
WHAT'S IN THE BOX



*Accessories not to scale with GB20



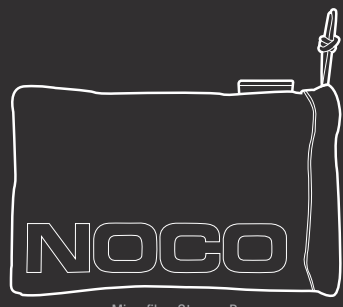
40" (1m) USB-C



Heavy-Duty Precision Battery Clamps



User Guide



Microfiber Storage Bag



CHARGE DEVICES.

Recharge your personal devices on the go, like smartphones, tablets, e-watches and more - up to 4 smartphone recharges.

RECHARGE TIME

0.5A	12hr
1A	6hr
2A	3hr

TECHNICAL SPECIFICATIONS

INTERNAL BATTERY:	24 Watt-Hour Lithium Ion	
PEAK CURRENT RATING:	500A	
OPERATING TEMPERATURE:	-4°F to +122°F (-20°C to +50°C)	
CHARGING TEMPERATURE:	32°F to +104°F (0°C to +40°C)	
USB (INPUT):	5V, 2.1A	
USB (OUTPUT):	5V, 2.1A	
HOUSING PROTECTION:	IP65 (w/Ports Closed)	
COOLING:	Natural Convection	
UNIT WEIGHT:	1.65 lbs (0.74kg)	
UNIT WEIGHT W/ CLAMPS & ACCESSORIES:	2.1 lbs (0.95kg)	
LED FLASHLIGHT:	100 Lumens	
VOLUMETRICS:	Retail Packaging: Dimensions: 3.62"x4.57"x8.27" Weight: 2.69lbs UPC: 0-46221-15001-8	Master Carton: Dimensions: 9.25"x12.60"x11.22" Weight: 18.08lbs Quantity: 6 UCC: 10046221150015
	Inner Carton: Dimensions: 4.01"x8.78"x5.12" Weight: 2.87lbs	Units Per Pallet: NA - 360 Units EU - 270 Units



30339 Diamond Parkway, #102
Glenwillow, OH 44139 | USA
1.800.456.6626

no.co

