

# 15A

# NOCO® AIR15

## 80PSI



## ULTRAFAST PORTABLE AIR COMPRESSOR

### UNPARALLELED SPEED.

NOCO AIR has been tested and proven to operate longer and inflate faster than leading competitors. Inflate flat tires from 0 to 40 psi in under 3 minutes.

### COMPACT DESIGN.

Integrated hose clips, dedicated slots for accessories, and effortless power-cord storage allow AIR to be quickly and easily stored or used.

### PREMIUM BUILD.

NOCO AIR is built with solid aluminum, heavy-duty powdercoat, and reinforced plastic.

### LED FLASHLIGHT.

Provides a tactical-grade experience with long-range, bright illumination, controllable luminosity, and emergency modes.



NOCO

30339 Diamond Parkway, #102  
Glenwillow, OH 44139 | USA  
1.800.456.6626

no.co

# ULTRAFAST<sup>®</sup> INFLATION

AIR automatically shuts off upon reaching the desired pressure. Utilizing a unique algorithm — AIR achieves precise accuracy even at higher pressure.



# SMART PRESSURE AUTO-SHUTOFF



Adapters

Integrated HoseClip

200W

2.9 MIN

44 SLPM

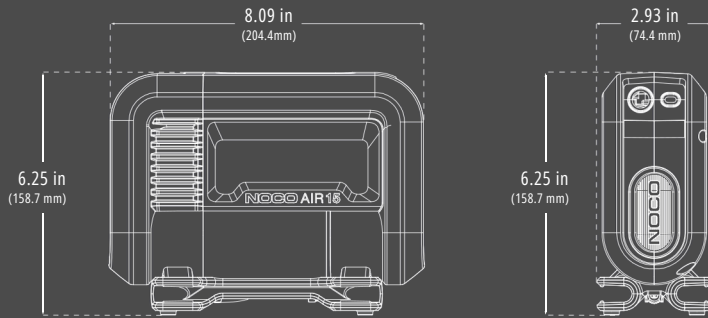
## INTUITIVE INTERFACE.



## TOTAL VERSATILITY.

With rugged portable design, integrated cord management, dedicated slots for accessories, and ultra-compact size, it can easily be stored - and ready to take on anything.

## WHAT'S IN THE BOX



AIR15 Portable Air Compressor w/  
3ft Braided Hose & 10ft Power Cord  
+ 12V Cigarette Lighter Plug



User Guide &  
Warranty Information

- Needle Adapter
- Presta Valve Adapter
- Inflatable Toy Adapter



Microfiber Storage Bag

## TECHNICAL SPECIFICATIONS

MAX AIRFLOW AT 0 PSI:	44 SLPM	
MAX PRESSURE:	80 psi / 5.52 bar / 551.58 kPa	
MOTOR RATING:	200W	
MOTOR MAX CURRENT DRAW:	15A	
DUTY CYCLE:	15 min @ 30PSI on time/45 min off time	
MANUAL MODE DUTY CYCLE:	5 min on time/30 min off time	
APPROXIMATE INFLATION TIME at 13.8V (0-40 PSI):	2.9 min +/- 10% with 205-65R16 95H Tire	
AIR HOSE LENGTH:	3 ft	
POWERCORD LENGTH:	10 ft	
WIRE GAUGE:	16 AWG	
POWER TYPE:	12V Plug	
IP RATING:	IP55	
COOLING:	Natural Convection	
OPERATING TEMPERATURE:	-4° to 122° F (-20° to +50° C)	
STORAGE TEMPERATURE:	-4° to 122° F (-20° to +50° C)	
WEIGHT:	5.72 lbs (2.59 kg)	
VOLUMETRICS:	Retail Packaging: Dimensions: 10.83" x 4.41" x 8.54" Weight: 7.69 lbs UPC: 0-46221-23003-1	Master Carton: Dimensions: 11.06" x 18.5" x 11.89" Weight: 33.31 lbs Quantity: 4 ITF-14: 10046221230038
	Inner Carton: Dimensions: 11.34" x 8.98" x 5.04" Weight: 8.02 lbs	Units Per Pallet: NA: 128 units AU/UK/HP/JP: 96 units EU/ND/RM/FN: 72 units

**NOCO**

30339 Diamond Parkway, #102  
Glenwillow, OH 44139 | USA  
1.800.456.6626

**no.co**

