

# CBL85-12

12V 85AH

General Purpose Sealed Lead Acid Battery



## CBL85-12



## Physical Specification

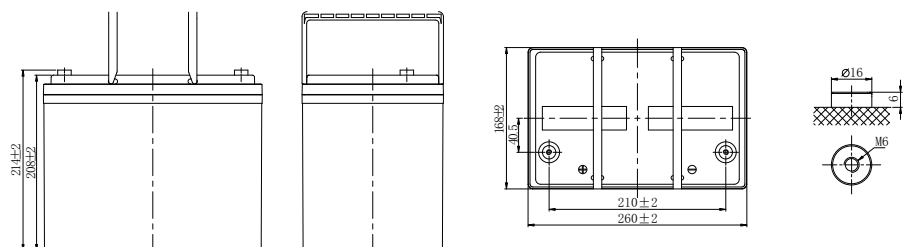
Part Number:	<b>CBL85-12</b>
Length:	<b>260 ± 2 mm (10.2 inches)</b>
Width:	<b>168 ± 2 mm (6.61 inches)</b>
Container Height:	<b>208 ± 2 mm (8.19 inches)</b>
Total Height (with terminal):	<b>214 ± 2 mm (8.43 inches)</b>
Approx Weight:	<b>23.8 Kg (52.36 lbs)</b>

## Specifications

	Nominal Voltage	12V	
	(C20 , 1.75V/cell)	85AH	
<b>Terminal Option</b>	M6		
<b>Container Material</b>	Standard Option	ABS	
	Flame Retardant Option (FR)	ABS (UL94:VO)	
<b>Rated Capacity</b>	(20hr, 4.28A, 1.80V/cell)	85.6 Ah	
	(10hr, 8.00A, 1.80V/cell)	80.0 Ah	
	(5hr, 14.9A, 1.75V/cell)	74.5 Ah	
	(3hr, 22.5A, 1.75V/cell)	67.5 Ah	
	(1hr, 52.0A, 1.60V/cell)	52.0 Ah	
<b>Max Discharge Current (5s)</b>	800A		
<b>Internal Resistance</b>	Approx. 6.2mΩ		
<b>Discharge Characteristics</b>	Operating Temp. Range	Discharge: -15°C~50°C (5°F~122°F)	
		Charge: -20~40°C (-4~104°F)	
		Storage: -15°C~40°C (5°F~104°F)	
	Nominal Operating Temp. Range	25 ± 3°C (77 ± 5°F)	
	Cycle Use	Initial Charging Current less than 24.0A. Voltage 14.4V~15.0V at 25°C (77°F) Temp. Coefficient -30mV/°C	
	Self Discharge	Initial Charging Current less than 24.0A. Voltage 13.5V~13.8V at 25°C (77°F) Temp. Coefficient -20mV/°C	
	Capacity affected by Temperature	40°C (104°F)	103%
		25°C (77°F)	100%
0°C (32°F)		86%	
<b>Design Floating Life at 20°C</b>	20+ Years		
<b>Self Discharge</b>	Canbat Lead Acid AGM batteries may be stored for up to 6 months at 25°C (77°F) and then a refresh charge is required. For higher temperatures the time interval will be shorter. Self-discharge is less than 2%		

## Dimensions

### M6 Terminal



To ensure safe and efficient operation always refer to the latest edition of our datasheets, as published on our website [www.canbat.com](http://www.canbat.com). Canbat Technologies Inc. All rights reserved. All trademarks are the property of their respective owners. All data subject to change without notice. E&O.E

# CBL85-12

12V 85AH

General Purpose Sealed Lead Acid Battery



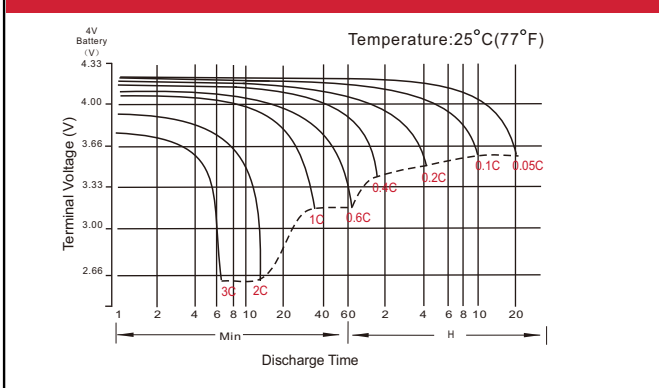
## Constant Current Discharge (Amperes) at 25 °C (77 °F)

F.V/Time	5min	10min	15min	20min	30min	45min	1h	1.5h	2h	3h	4h	5h	6h	8h	10h	20h
1.85V/cell	162.8	115.7	104.7	82.3	73.6	53.8	45.6	33.0	27.8	20.4	16.0	13.9	12.2	9.40	7.79	4.13
1.80V/cell	185.1	131.4	118.6	93.1	80.1	57.0	47.2	34.2	28.7	22.1	17.1	14.6	13.1	9.89	8.00	4.28
1.75V/cell	201.1	142.5	128.4	100.5	81.8	59.0	49.5	35.9	30.2	22.5	17.4	14.9	13.2	9.95	8.24	4.33
1.70V/cell	215.0	151.9	136.4	106.5	83.4	60.2	50.5	36.6	30.8	23.0	17.7	15.1	13.3	10.1	8.32	4.37
1.67V/cell	222.5	156.7	140.4	109.4	84.6	61.1	51.3	37.2	31.2	23.2	18.0	15.4	13.4	10.2	8.43	4.43
1.60V/cell	230.4	162.1	144.7	112.2	85.9	62.0	52.0	37.7	31.7	23.4	18.2	15.6	13.4	10.4	8.53	4.48

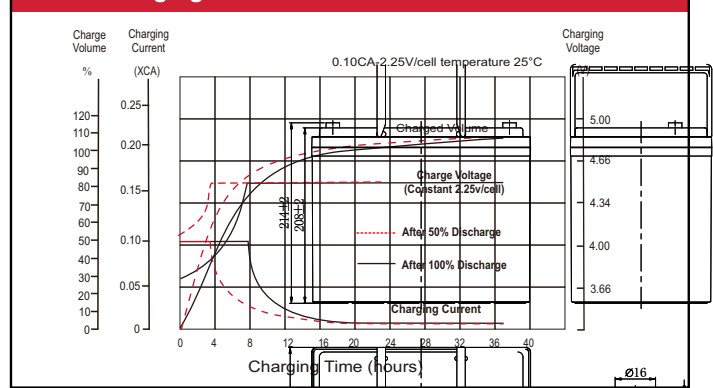
## Constant Power Discharge (Watts/cell) at 25 °C (77 °F)

F.V/Time	5min	10min	15min	20min	30min	45min	1h	1.5h	2h	3h	4h	5h	6h	8h	10h	20h
1.85V/cell	304.0	217.8	198.2	156.6	140.6	101.3	88.2	64.1	54.0	39.8	31.4	27.3	24.1	18.7	15.5	8.23
1.80V/cell	340.1	243.6	221.7	175.1	151.9	106.6	90.8	65.9	55.5	43.0	33.4	28.6	25.8	19.6	16.2	8.52
1.75V/cell	363.0	260.0	236.6	186.9	153.8	109.8	94.9	69.0	58.2	43.7	33.9	29.0	25.9	19.6	16.3	8.59
1.70V/cell	381.6	273.3	248.7	196.5	155.6	111.2	96.3	70.1	59.1	44.4	34.3	29.4	26.0	19.9	16.5	8.67
1.67V/cell	387.8	277.8	252.8	199.7	156.7	112.2	97.1	70.7	59.7	44.6	34.7	29.9	26.1	20.1	16.7	8.77
1.60V/cell	393.2	281.6	256.3	202.5	157.4	112.8	97.9	71.3	60.2	44.8	35.0	30.2	26.2	20.4	16.8	8.86

### Discharge Characteristics



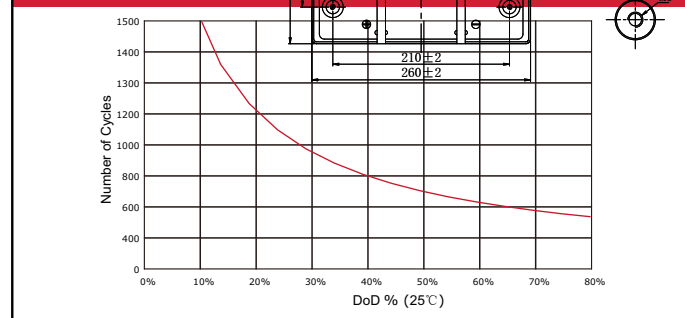
### Float Charging Characteristics



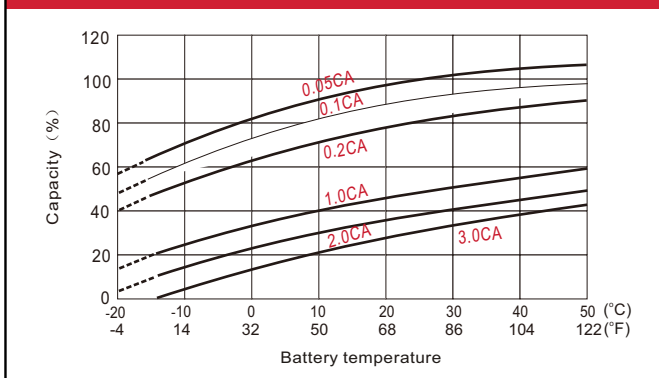
### Valve-Regulated Sealed Lead Acid Batteries

Sealed lead acid batteries are engineered to provide reliable power in a compact design. They are spill-proof and require zero maintenance, as adding water is never necessary. The acid in the battery is suspended in a glass mat separator, which makes the cells leak-proof during normal battery operation. Our batteries are proudly designed in Canada with quality and performance in mind, offering one of the highest cycle life among other sealed lead acid battery brands. Canbat AGM batteries are manufactured with pure lead to ensure a low self-discharge rate of less than 2%, meaning stored batteries are only required a recharge once every six months. The series also features an outer container made from ABS material.

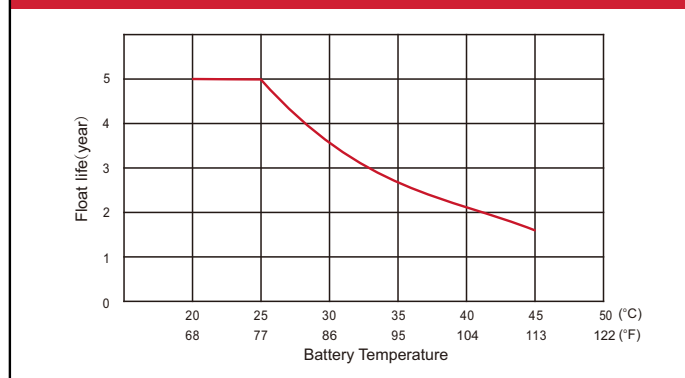
### Cycle Life Relation o Depth of Discharge



### Temperature Effects in Relation to Battery Capacity



### Float Service Life



To ensure safe and efficient operation always refer to the latest edition of our datasheets, as published on our website [www.canbat.com](http://www.canbat.com). Canbat Technologies Inc. All rights reserved. All trademarks are the property of their respective owners. All data subject to change without notice. E&O.E