



Model : GC2-30-48 | Voltage: 51.2V | Capacity: 30Ah | Energy: 1536Wh | Group: GC2

ELECTRICAL SPECIFICATIONS

Nominal Voltage	51.2V
Nominal Capacity	30Ah
Capacity @ 30A	60 min
Resistance	≤ 50mΩ @1kHz AC
Efficiency	96%
Self Discharge	≤3% per Month
Maximum Modules in Parrallel	10 Batteries (300Ah)

CHARGING CHARACTERISTICS

Recommended Charge Current	≤ 15A
Maximum Charge Current	30A
Recommended Charge Voltage	57.6 V
BMS Charge Voltage Cut-Off	59.2 V

DISCHARGE SPECIFICATIONS

Maximum Continuous Discharge Current	60A/30min
Peak Discharge Current	100A/10s
Recommended Low Voltage Disconnect	52V
BMS Discharge Voltage Cut-Off	45V
Reconnect Voltage	48V
Short Circuit Protection	500A/400uS

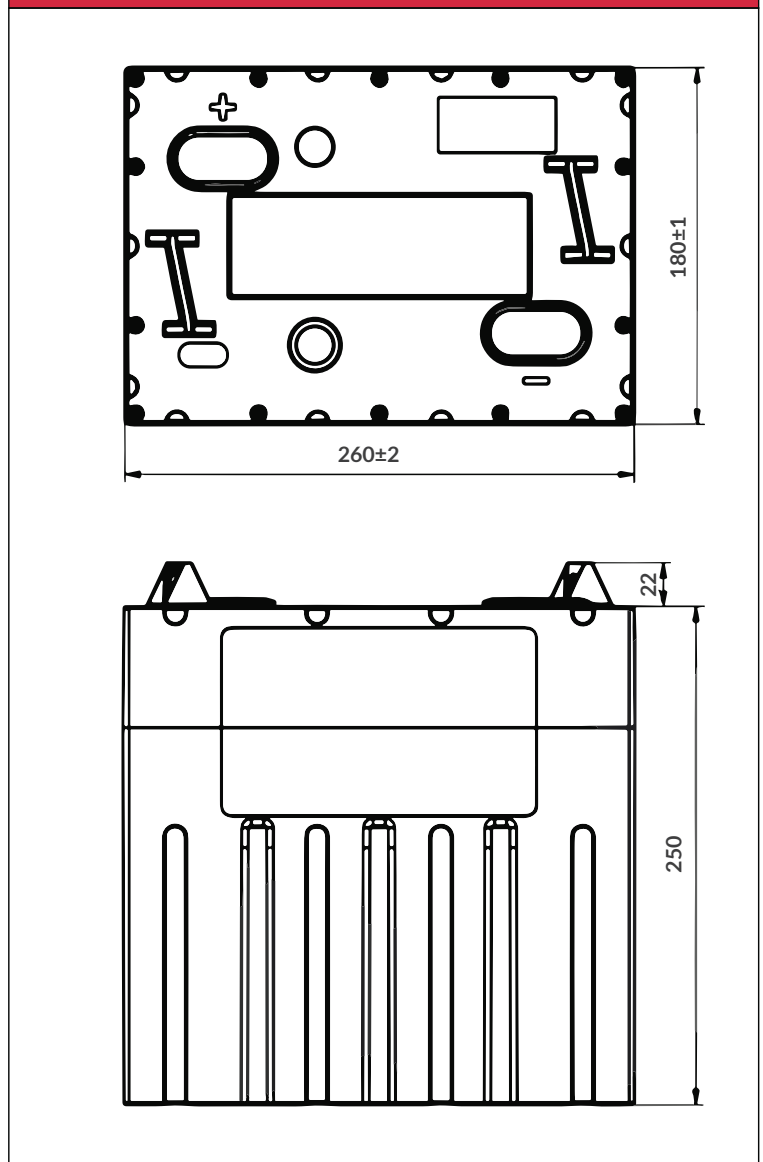
TEMPERATURE SPECIFICATIONS

Discharge Temperature	-20~60°C
Charge Temperature	0~60°C
Storage Temperature ≤ 1 month	-20~60°C
Storage Temperature ≤ 3 months	-10~45°C
Recommended Storage Temperature	15~35°C

MECHANICAL SPECIFICATIONS

Dimensions (L x W x H)	260 x 180 x 283 mm 10.2 x 7.08 x 11.14 inch
Weight	33 lbs (15 kg)
Terminal Type	M8 x 1.25 x 12mm
Terminal Torque	80 - 100 in-lbs (8 - 12 N-m)
Case Material	ABS+PC/UL94-V0
Enclosure Protection	IP67
Cell Type - Chemistry	Prismatic - LiFePO4

DIMENSIONAL SPECIFICATIONS



To ensure safe and efficient operation always refer to the latest edition of our datasheets, as published on our website www.canbat.com. Canbat Technologies Inc. All rights reserved. All trademarks are the property of their respective owners. All data subject to change without notice. E&O.E